

Call someone to help, you better be two people!

First, take the 4 T-sleeves, clean the internal surface with the 3M wipes, use the 3M cigarette primer, and after some minutes apply two pieces of adhesive for each sleeve.

Fix the benches and table to the sled tubes, using 4 BHSS M8x14 for each product.

Insert the 4 T-sleeves on the ends of the sled tubes.

Then insert the vertical uprights and fix them at the bottom with 4 headless set screw M8x30 (they must not protrude beyond the surface of the pipe).

Assemble 2 corner transoms, fixing them to the top of the uprights with 4 headless set screw M8x30.

Now insert the 4 oblique uprights and close the frame at the top with the third corner transom,

Spread the cloth on the frame and insert the 2 cloth transoms into the end pockets.

Fix the transoms and the T-sleeves using 4 headless set screw M8x30.

Done!

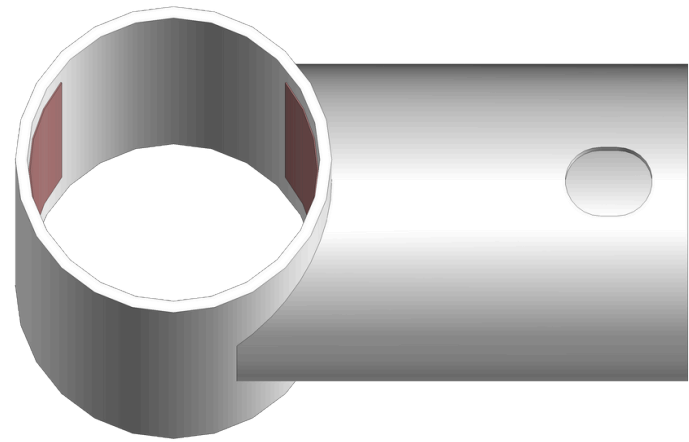
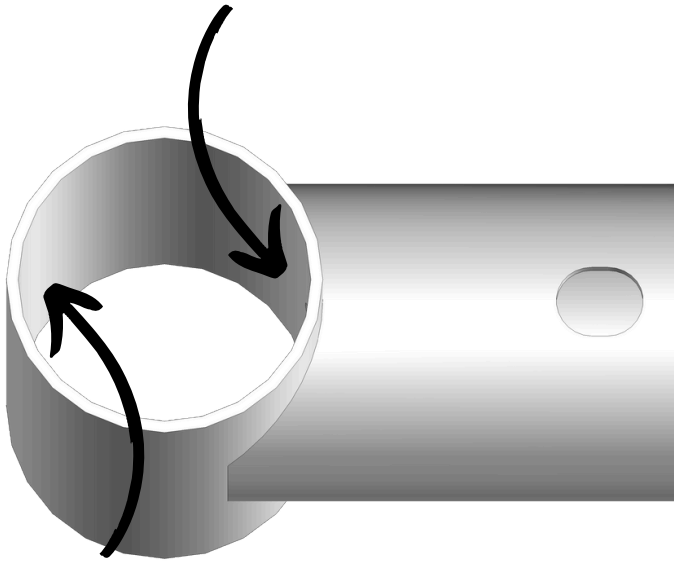
Assembly instructions

015. Cabana

Five steps procedure

What do you need?

- 3M wipes
- 3M cigarette primer
- 3M UHMW adhesive



What do you need?

- 12x BHSS M8x14
- 8x headless set screw M8x30
- a hex screwdriver/Allen key



What do you need?

- 4x headless set screw M8x30
- a hex screwdriver/Allen key

